

**SHB-121**



### **SHB-121**

Tilting LCD & Plasma wall mount  
For 16 - 22 inch screen  
Product size : 220 x 220 mm.  
Distance to wall : 75 mm.  
Load capacity : 30 kg.  
Material : 2 mm. thickness cold rolled steel

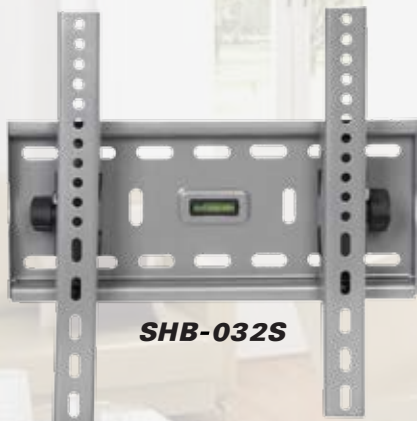
**SHB-021**



### **SHB-021**

Tilting LCD & Plasma wall mount  
For 15 - 42 inch screen  
Product size : 340 x 280 mm.  
Distance to wall : 25 mm.  
Load capacity : 40 kg.  
Material : 2 mm. thickness cold rolled steel

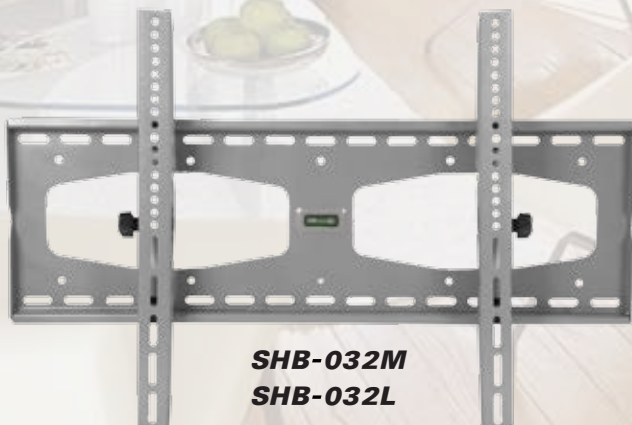
**SHB-032S**



### **SHB-032S**

Tilting LCD & Plasma wall mount  
For 17 - 37 inch screen  
Product size : 340 x 340 mm.  
Distance to wall : 75 mm.  
Load capacity : 65 kg.  
Tilt :  $-10^{\circ} \sim +10^{\circ}$   
Material : 2 mm. thickness cold rolled steel

**SHB-032M**  
**SHB-032L**



### **SHB-032M**

Tilting LCD & Plasma wall mount  
For 32 - 55 inch screen  
Product size : 760 x 510 mm.  
Distance to wall : 75 mm.  
Load capacity : 75 kg.  
Tilt :  $-10^{\circ} \sim +10^{\circ}$   
Material : 2 mm. thickness cold rolled steel

### **SHB-032L**

Tilting LCD & Plasma wall mount  
For 42 - 70 inch screen  
Product size : 900 x 510 mm.  
Distance to wall : 75 mm.  
Load capacity : 75 kg.  
Tilt :  $-10^{\circ} \sim +10^{\circ}$   
Material : 2 mm. thickness cold rolled steel

**LCD & PLASMA**  
WALL MOUNT / CEILING MOUNT

integrated  
bubble  
level

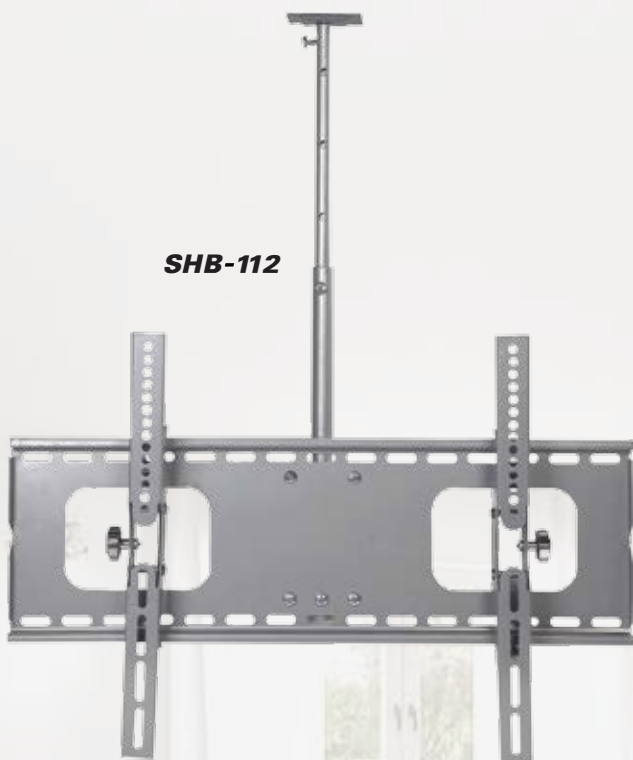


available  
for  
all model

<http://www.nts-solution.com>

All features & specifications are subjected to change without notice.

**SHB-112**



## **SHB-201S**

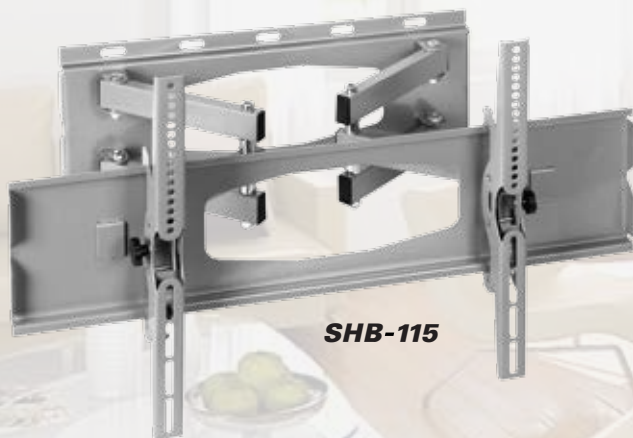
Tilting LCD & Plasma ceiling mount  
For 23 - 37 inch screen  
Product size : 520 x 380 x 80 mm.  
Tube extension : 0.45 - 0.75 m.  
Load capacity : 75 kg.  
Tilt : -15° ~ +15°  
Material : 2 mm. thickness cold rolled steel

## **SHB-201M**

Tilting LCD & Plasma ceiling mount  
For 32 - 55 inch screen  
Product size : 760 x 510 x 80 mm.  
Tube extension : 0.45 - 0.75 m.  
Load capacity : 75 kg.  
Tilt : -15° ~ +15°  
Material : 2 mm. thickness cold rolled steel

## **SHB-201L**

Tilting LCD & Plasma ceiling mount  
For 42 - 70 inch screen  
Product size : 900 x 510 x 80 mm.  
Tube extension : 0.45 - 0.75 m.  
Load capacity : 75 kg.  
Tilt : -15° ~ +15°  
Material : 2 mm. thickness cold rolled steel



**SHB-115**

## **SHB-115S**

Tilting LCD & Plasma wall mount  
For 23 - 37 inch screen  
Product size : 540 x 350 mm.  
Distance to wall : 120 - 600 mm.  
Load capacity : 65 kg.  
Tilt : -15° ~ +15°  
Swivel : 180°  
Material : 2/2.5 mm. thickness cold rolled steel

## **SHB-115M**

Tilting LCD & Plasma wall mount  
For 32 - 60 inch screen  
Product size : 720 x 480 mm.  
Distance to wall : 120 - 600 mm.  
Load capacity : 70 kg.  
Tilt : -15° ~ +15°  
Swivel : 180°  
Material : 2/2.5 mm. thickness cold rolled steel

## **SHB-115L**

Tilting LCD & Plasma wall mount  
For 42 - 70 inch screen  
Product size : 840 x 480 mm.  
Distance to wall : 120 - 600 mm.  
Load capacity : 75 kg.  
Tilt : -15° ~ +15°  
Swivel : 180°  
Material : 2/2.5 mm. thickness cold rolled steel

**LCD & PLASMA**  
WALL MOUNT / CEILING MOUNT

integrated  
bubble  
level



available  
for  
all model

<http://www.nts-solution.com>

All features & specifications are subjected to change without notice.