

acm 12H300

General Description and Applications:

The **acmaudio** 12H300 features a molded polypropylene enclosure that is inherently weather resistant.

ACM audio used advanced program techniques to create the most successful and influential professional speaker system. High power, efficiency, lower distortion and great low frequency extension provide an unbelievable performance.



12H300 can be used for live sound reinforcement, vocals, speech and music playback in entertainment, schools, pub, coffee shop and outdoor venues. Portability is one of the important factors for choice especially.



For permanent suspension or attaching brackets, the 12H300 also has three M8 inserts on the top and bottom, two on the side, for a total of 5.



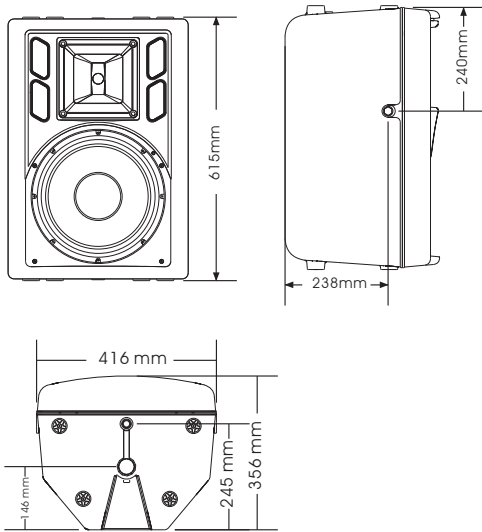


12H300

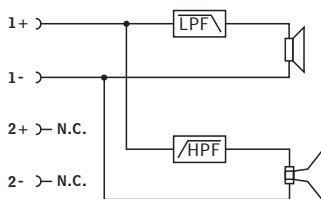
Portable Speaker System



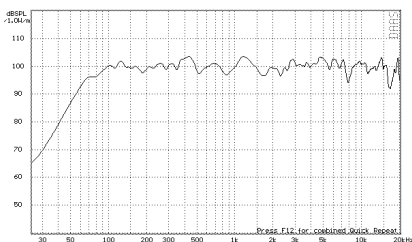
Dimension Drawings



Block Diagram



Frequency Response



Key Features:

High Impact Molded Polypropylene Enclosure

12L300A8 12 LF Transducer

1.75" Voice Coil, 1" Exit Titanium Compression Driver

80° x 60° Coverage Pattern

Smooth Response With High Power Handling Capacity (Continuous Program/RMS), 1200W/300W

5 Integral Suspension Points

Complete Mounting Solutions

Technical Specification:

Freq. Range(-10dB):	40Hz~20kHz
Freq. Response(-3dB):	50Hz~18kHz
Rec. Hipass Frequency:	30Hz
Axial Sensitivity:	98dB(1W/1m)
Max Calculated SPL:	130dB
Horizontal Coverage:	80°
Vertical Coverage:	60°
Rated System Power:	300W Continuous 1200W Peak
LF Transducer:	12L300-81
HF Transducer:	25H44-81
Crossover Frequency:	2.0kHz
Nominal Impedance:	8 Ohms
Connector:	2 x NL4 Speakon
Dim (HxWxD):	615mmx416mmx356mm
Net Weight:	21Kg
Shipping Weight:	24Kg